

STATIONARY GRINDING & LAPPING MACHINES

■ **uni**grind **STM**



STM 500 SV-Combi with workbench



Stationary valve grinding and lapping machine for sealing surfaces in gate, globe, check valves, gate valve wedges and safety relief valves.

STM 500 SV-Combi:

- Max. flange diameter 600 mm (23,6")
- Max. valve height 700 mm (27,5")
- Tilt table size 500 x 500 mm (19,7")
- Tilting range +/- 13°
- Rotary table diameter Ø 500 mm (19,7")
- Eccentric adjustment 0–20 mm (0,8")
- Working range DN 10–300/350 (3/8"–12"/14")

STM 500 SV-1 (special for safety relief valves):

- Max. valve height 700 mm (27,5")
- Rotary table diameter Ø 500 mm (19,7")
- Eccentric adjustment 0–20 mm (0,8")
- Working range DN 10–300 (3/8"–12")

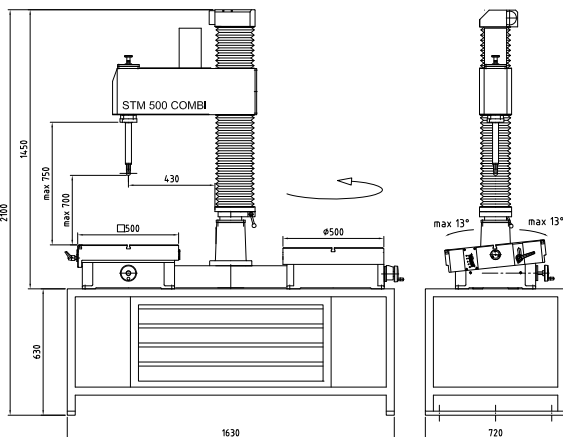
STM 500 SV-2 (with two rotary tables):

- Max. valve height 700 mm (27,5")
- Rotary table diameter Ø 500 mm (19,7")
- Eccentric adjustment 0–20 mm (0,8")
- Working range DN 10–300 (3/8"–12")

STM 500:

Also available only with tilting table.

- Max. flange diameter 600 mm (23,6")
- Tilt table size 500 x 500 mm (19,7")
- Tilting range +/- 13°
- Working range DN 10–350 (3/8"–14")



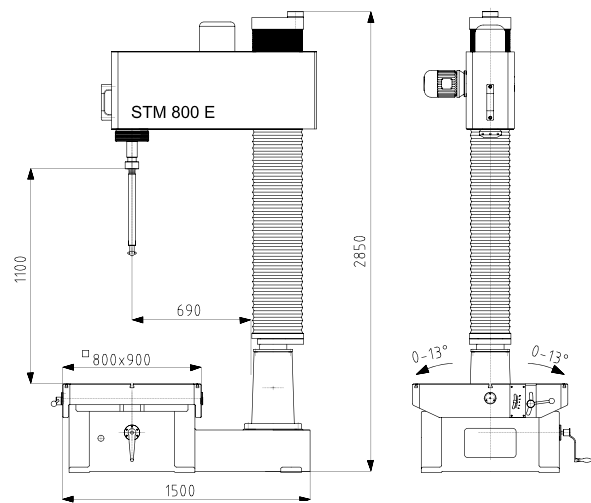
Grinding gate valve on tilting table



Grinding safety relief valve on rotary table

STATIONARY GRINDING & LAPPING MACHINES

■ **unigrind STM**



STM 800 E:

- Working range DN 15–1000 (1/2"–40")
- Eccentric spindle drive adjustable
- Max. flange diameter 1370 mm (56")
- Max. valve height on the table 1100 mm (43,3")
- Tilting table dimension 800 x 900 mm (31,5" x 35,4")
- Tilting range +/- 13°

Comment:

The Model STM 800 E is available with 1 or 2 tilting tables as well as in combination with tilting- and rotary table.

STM 800 E, grinding gate valve



Eccentric spindle drive



STM 800 E Grinding of gate valve wedge



Grinding of gate valve



Tool cabinet with accessories